

Fast shipment
Max. 3 weeks

Hatraco® 18.030-01: Superior replacement for your bridge plug

18.030-01 / FT00171



At least 50% better than the original!

Spark plugs for Wärtsilä® SG-series & Rolls Royce® B-series

Developed and tested by:
ERS® & Hatraco®

- No need to renew your HT leads
- No need to change timing and air-fuel ratio
(no adjustments needed)



Long lifetime up to 6000 hours

The spark plug 18.030-01 reaches a life time up to 6.000 hours*. At least 50% better than the original can be achieved with Hatraco drop-in replacement spark plug. Save on maintenance costs and downtime for your engines.



Drop-in replacement spark plugs

Drop-in replacement through the excellent design of these spark plugs. Easy replacement of the spark plugs. No adjustments needed.



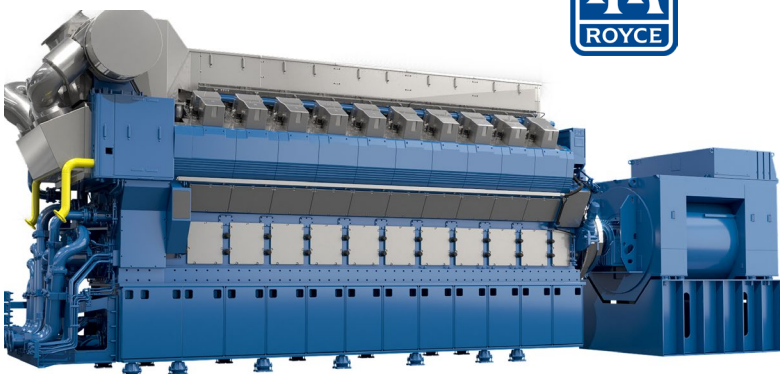
Worldwide availability

These aftermarket Hatraco spark plugs are available at Hatraco and through our worldwide dealer network.

**Lifetime of the product depends on operating conditions and engine version.*



WÄRTSILÄ



Specifications

Partnumber : 18.030-01 / FT00171

THREAD SIZE : M18x1.5 mm

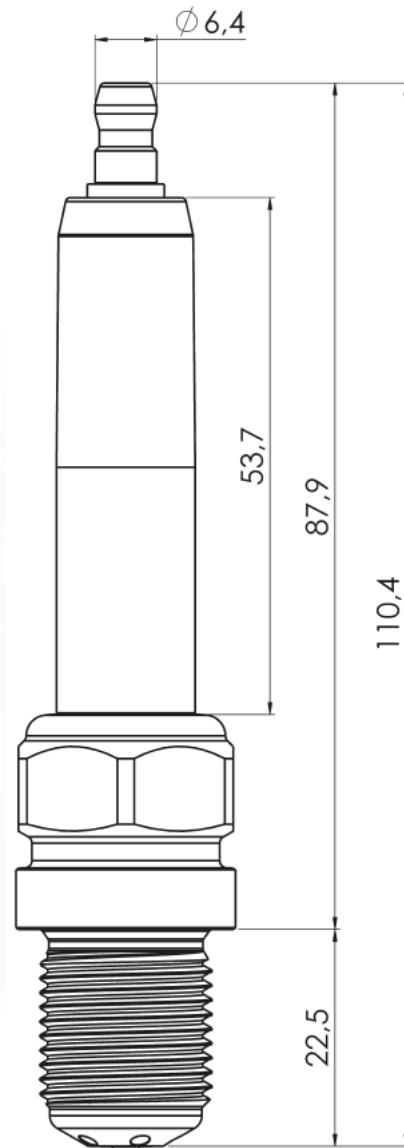
THREAD REACH : 18.5 mm

ELECTRODE MATERIAL : Iridium / iridium (Ir/Ir)

HEX SIZE : 22.2 mm (7/8")

Cross references

18.030-01/FT00171	Rolls Royce : 710875
	Wärtsila : PAAE059695
	Wärtsila : PAAF092377
	Federal Mogul : FB78WW



Note: this information is only for reference purposes. No rights can be derived from this publication.

Why Hatracco?

For 40+ years, Hatracco is an independent trading company specialized in ignition, governing and control products for industrial reciprocating engines, both spark ignited and diesel.

With our:
In-house engineering
In-house production
In-house service

we guarantee that your project is in the **best hands** with our company.

We solve your problems and give you the **best solutions**.

Try the best solution!

Contact your local Hatracco representative for any information you may need.

Our well selected business partners provide you with professional support in your own language.

Please visit our website www.hatracco.com or mail to sales@hatracco.com

**IT'S ALL AROUND
ENGINES**